

# Data Sheet

## Thumbwheel Switch, Type TT

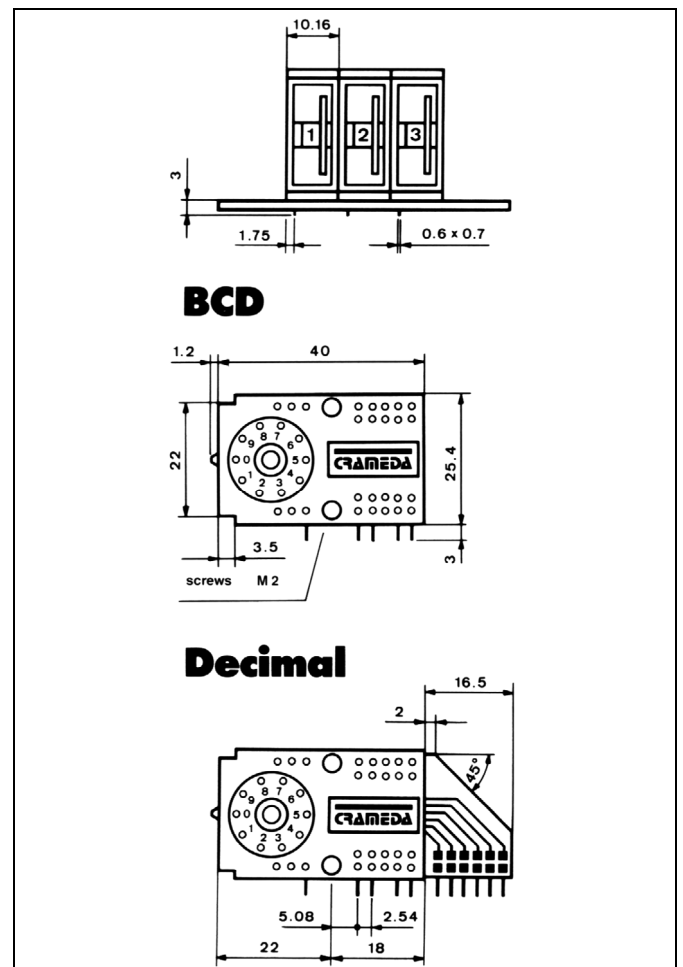
The TT switch is designed for vertical mounting to the PCB.  
 TT is 10.16 mm width per decade and can be combined with T-System components for vertical mounting to the PCB.  
 The installation depth is 40 mm for BCD coded switches and 56,5 mm for decimal coded switches.  
 Technical data is identical with types T, TC and TD.



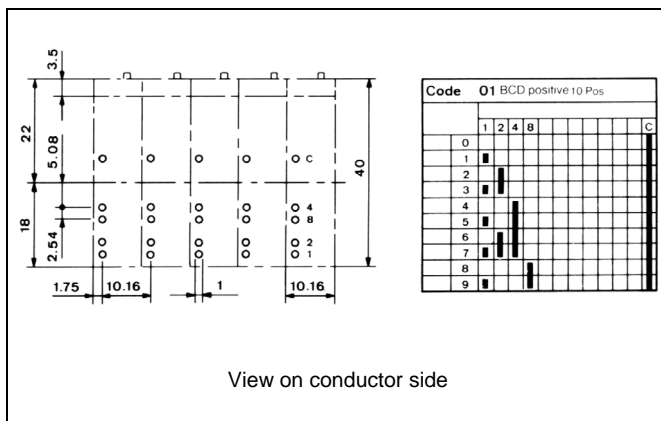
### Technical Data

Rated current	≤ 0.1 A suitable for dry switching
Max. voltage	≤ 50 V=
Insulation resistance	≥ 10 <sup>4</sup> MΩ
Contact resistance	≤ 100 mΩ
Test voltage U <sub>P</sub> contact/ contact	0.5 kV ~, 1 min.
Service life at 50 V/75 mA	> 10 <sup>5</sup> switch operations
Permissible ambient temperature δ <sub>U</sub>	-25° . . . +70°C
IEC-climatic category 68-1	25/070/21
Materials:	
Housing	Noryl
Thumbwheel	Polyamide
PC substrate	Epoxy
PC traces	Copper ≥ 1.8 μm hard gold plated over 2 μm nickel
Contact spring	Bronze CuSn6, contact AuAgNi 71/26/3 rolled to a thickness of 10 μm
Soldering	Hand soldering (max. 5 s) max. 340°C Suitable for mechanical soldering (using a protection foil where necessary)

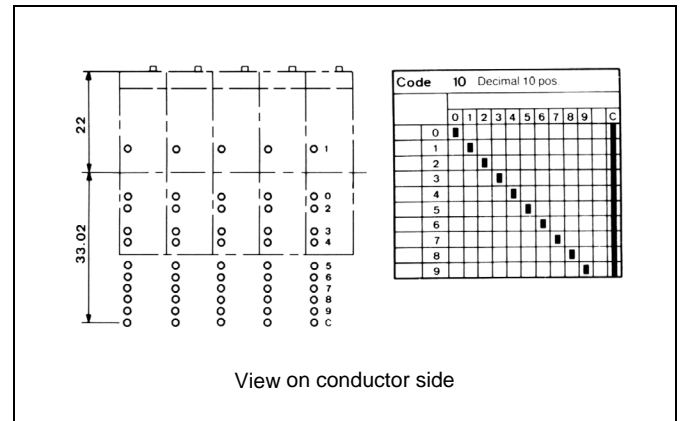
### Dimensions



## Hole- and Connection-Pattern BCD



## Hole- and Connection-Pattern Decimal

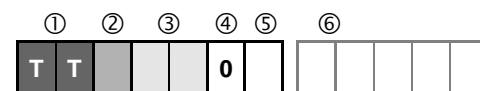


## Order Number Configuration

Type	①	Version	②	Switching function		③
	TT	BCD	0	BCD-Code	10 pos.	0-9
		Decimal	5	Decimal	10 pos.	0-9
						Marking
						01
						10

- ④ **Colour of housing** black 0
- ⑤ **Colour of selector disk**
  - black 0
  - red 2
  - yellow 4
  - green 5
  - blue 6
  - grey 8
- ⑥ **Optional**
  - End Stop A
  - Special Execution S
  - Block Assembly No. of switches
  - End brackets W

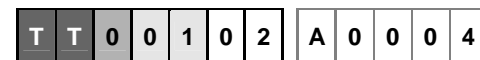
### Ordering Key



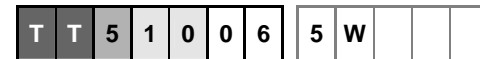
- ① Type
- ② Version
- ③ Switching function
- ④ Housing black
- ⑤ Colour of selector disk
- ⑥ Optional

### Order number (examples)

TT-switch BCD, housing black with red selector disk, will read 0 through 4



TT-block assembly; 5 TT switches decimal, housing black, selector disk blue and 2 end brackets



## Spacing modules for TT-switchblock assemblies

### Blank Spacing Module

The blank spacing module has the same dimensions as the corresponding T-switches. It can be mounted in any position within the switchblock. The blank spacing module allows to subdivide a switch assembly or to give it a symmetrical appearance.

### Ordering key



- ① Type
- ② Position of decade
- ③ Code, always 99
- ④ Housing black

Specifications are subject to change without notice.