

Data Sheet

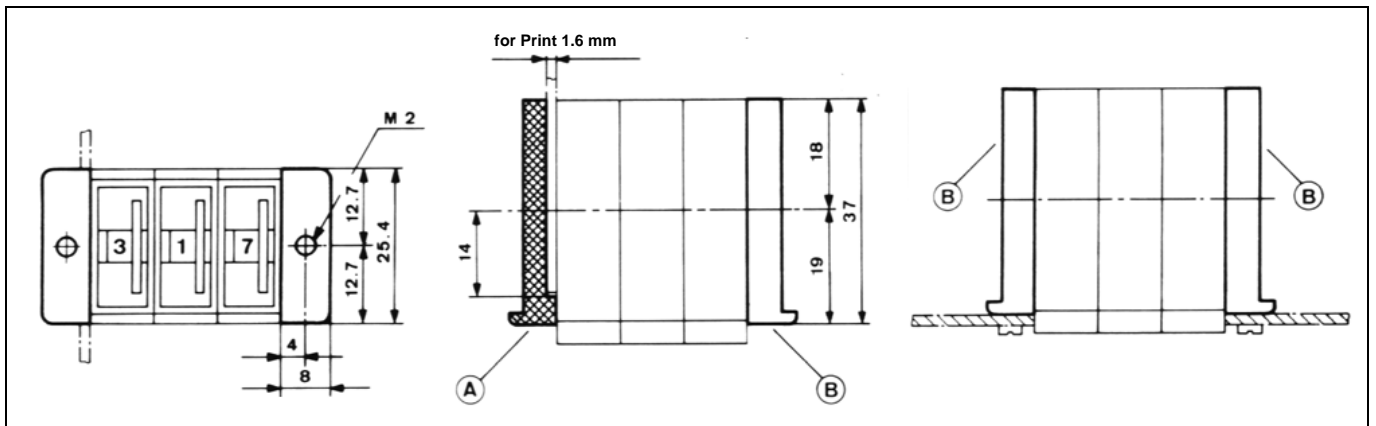
Brackets

The brackets enable mounting of switches and displays of the T-system directly to the frontpanel.

The brackets are delivered with square nuts M 2.



Dimensions

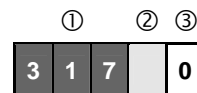


Order Number Configuration

Type ①	Version ②	
317	A for PCB inclusion	2
	B normal	3

③ Colour of housing black 0

Ordering key



- ① Type
- ② Version
- ③ Housing black

Order number (example)

Bracket, Version A, black housing (Recess for PCB)



Specifications are subject to change without notice.