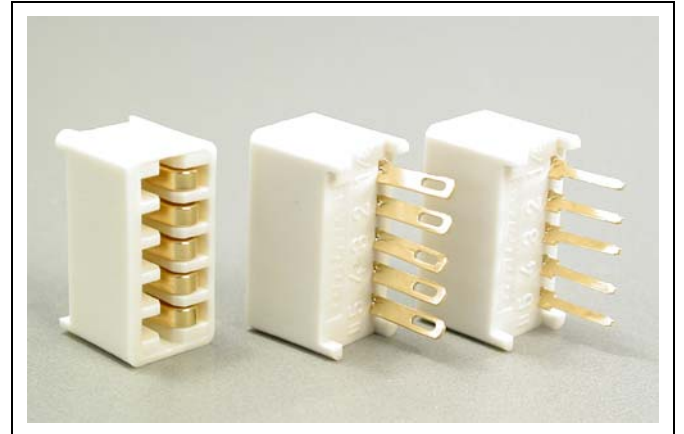


Data Sheet

Connectors

Multiswitch Series Z

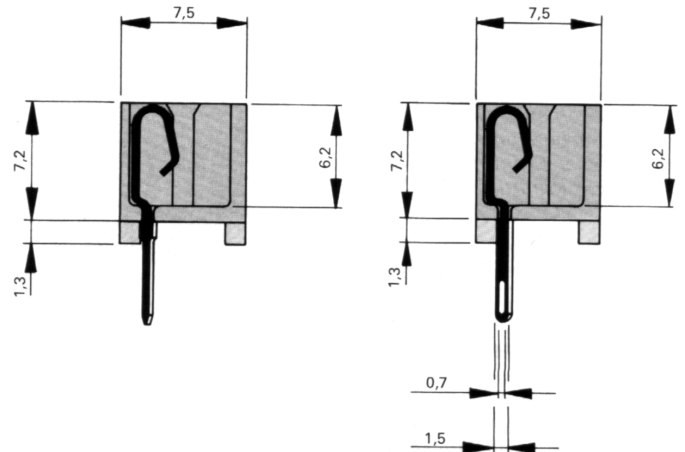
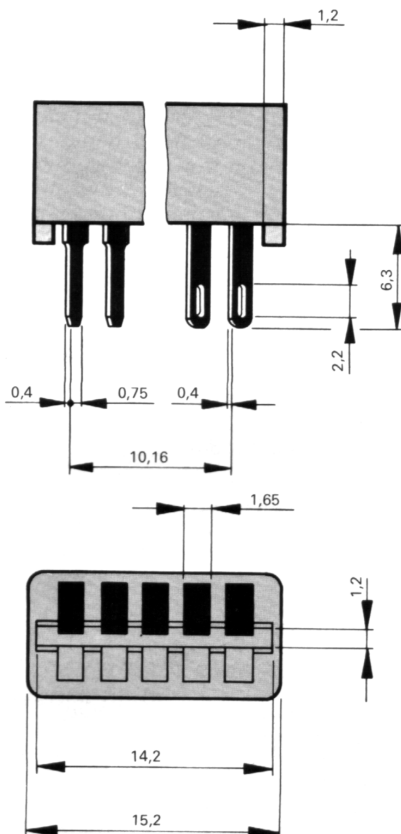
The connectors fit with **Multiswitch series Z**.
Connectors are available with different soldering pins.



Technical Data

Number of contacts	5
PCB thickness	1 ± 0.1 mm
Pitch spacing	2.54 mm
Max. current per contact	1 ADC / 1 AAC
Max. voltage	42 VDC / 42 VAC
Test voltage	500 V
Transition resistance	< 15 mΩ
Insulation resistance	10 ⁶ mΩ
Ambient temperature	-60°...+100 °C
Insertion force	7 N
Extraction force	5 N
Color of housing	white
RoHS compliant	yes

Dimensions

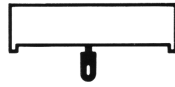


Order Numbers

Order numbers

CU 200395
without flange
with solder loops

Connector shapes



CU 200394
without flange
with solder pins short

