

Data Sheet

Connectors

Multiswitch Series D

The connectors fit with **Multiswitch series D**.

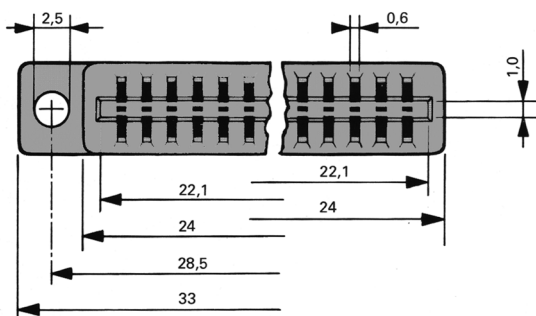
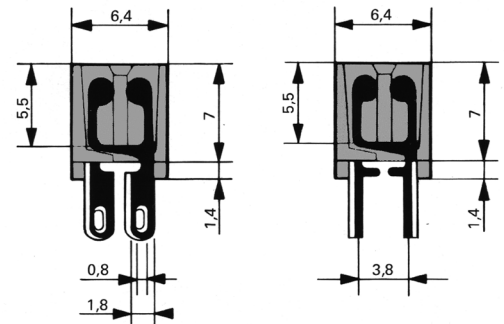
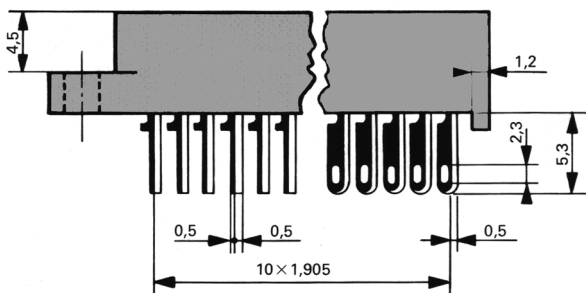
Connectors are available with or without flange and different soldering pins.



Technical Data

Number of contacts	11
PCB thickness	0.8 ± 0.1 mm
Pitch spacing	1.905 mm
Max. current per contact	1 ADC / 1 AAC
Max. voltage	42 VDC / 42 VAC
Test voltage	1000 V
Transition resistance	< 15 mΩ
Insulation resistance	10 ⁶ mΩ
Ambient temperature	-60°...+100 °C
Insertion force	16 N
Extraction force	11 N
Color of housing	black
RoHS compliant	yes

Dimensions

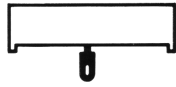


Order Numbers

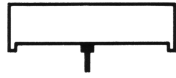
Order numbers

Connector shapes

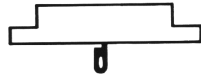
CU 300898
without flange
with solder loops



CU 300899
without flange
with solder pins short



CU 300896
with flange
with solder loops



CU 300897
with flange
with solder pins short

